

2 TOGGLE SWITCHES

Military Purpose Toggle Switches

DESCRIPTION

Eaton's Military Purpose switches are designed to meet the requirements of MIL-S-83731 or JAN-S-23. Sealed Switches have a silicone rubber lever seal assembled between the lever and the bushing to resist the entrance of contaminants such as dust, sand or water into the contact structure.

The switch mechanisms are completely enclosed to resist the entrance of contaminants into the switch. All metal parts are plated to resist corrosion. The Heavy Duty Switches are offered in both Standard Toggle Lever and Lever

Lock versions. Circuit designations are stamped on the side of each switch.

SPECIFICATIONS

Ratings:

See selection table.

Circuits:

1PST, 1PDT, 2PST, 2PDT, 1P3T (ON-ON-ON), 4PST and 4PDT.

Maintained and momentary action.

Contact Action:

Heavy Duty

Slow-make/Slow-break butt contact.

Medium Duty

Quick-make/Quick break, wiping action.

Contact Material:

Heavy Duty


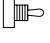

Movable — Silver plated copper with fine or coin silver contact face button.

Stationary — Copper with fine or coin silver contact face button.

Medium Duty

Movable — Copper silver plated.
Stationary — Bronze silver plated.

AC/DC RATED (MEDIUM DUTY) MIL-S-83731 SWITCHES SELECTION TABLE (BOLD FACE TYPE INDICATES ITEMS NORMALLY IN DISTRIBUTOR STOCK)

Rating	Poles and Throw	Circuit with Toggle in			BASE CIRCUIT SEE PAGE 4.28	Dimension "A" mm (inches)	Dimension "B" mm (inches)	CATALOG NUMBERS	
		UP Position	CENTER Position	DOWN Position				Military or JAN (ST) Solder Lug Terminals	
								MIL-S-83731 With Sealed Lever	Catalog Number
SINGLE POLE									
1	1 P.S.T.	ON	NONE	OFF	A	—	23.01 (.906)	MS25098-22	8261K22
1		ON	NONE	OFF*			23.01 (.906)	MS25098-29	8261K29
1		OFF	NONE	ON*			23.01 (.906)	MS25098-30	8261K30
1	1 P.D.T.	ON	NONE	ON	B	23.80 (.937)	—	MS25098-23	8261K23
1		ON	NONE	ON*			—	MS25098-26	8261K26
DOUBLE POLE									
2	2 P.S.T.	ON	NONE	OFF	C	—	23.01 (.906)	MS25100-22	8262K22
2		ON	NONE	OFF*			23.01 (.906)	MS25100-29	8262K29
2		OFF	NONE	ON*			23.01 (.906)	MS25100-30	8262K30
3	2 P.D.T.	ON	NONE	ON	D	23.80 (.937)	—	MS25100-23	8262K23
3		ON	NONE	ON*			—	MS25100-26	8262K26

* Momentary Contact.

CURRENT RATINGS

Code From Selection Table	Part Number	CURRENT CAPACITY IN AMPERES PER POLE	
		125V ac, 60 Hz	
		Resistive Load	Inductive Load
1	All MS25098	3.0	1.5
2	MS25100-22, 29, 30	3.0	1.5
3	MS25100-23, 26	1.0	1.0

Terminal Types:

**Heavy Duty
MIL-S-83731 Types**

Screw Terminals — Brass designed to accept #6-32 x 6.35mm (.250") pan head (Cat. No. 11-1893) screws and Si bronze #6 Helical lockwasher (Cat. No. 16-1096).
Furnished unassembled.
Terminal screws are tin dipped to facilitate soldering if required.

Heavy Duty Jan-S-23 Types

Screw Terminals — Brass designed to accept #6-32 x 4.78mm (.188") binding head (Cat. No. 811-2) screws.
Furnished unassembled.

Solder Lug Terminals — Tintillate plated brass.

**Medium Duty
MIL-S-83731 Types**

Solder Lugs — Brass silver plated furnished with 2.39mm (.094") dia. hole.

Base Material:

Thermoset molding material.

Mounting Means:

Threaded Bushing — 11.89mm (.468") dia., 32 threads/inch.

Keyway — 1.73 x .89mm deep (.068 x .035" deep) — provides anti-rotation feature.

Hardware Supplied —

MIL-S-83731 Types:

2 hexagon facenuts (Cat. No. 15-966-6), 1 locking ring (Cat. No. 29-761) and 1 internal tooth lockwasher (Cat. No. 16-886).
Furnished unassembled.

Jan-S-23 Types:

2 hexagon facenuts (Cat. No. 15-966-6).
Furnished unassembled.

Dielectric:

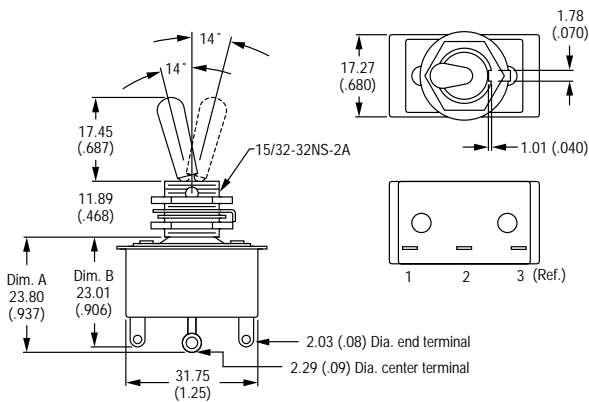
1000V RMS minimum.

Operating Temperature Range:

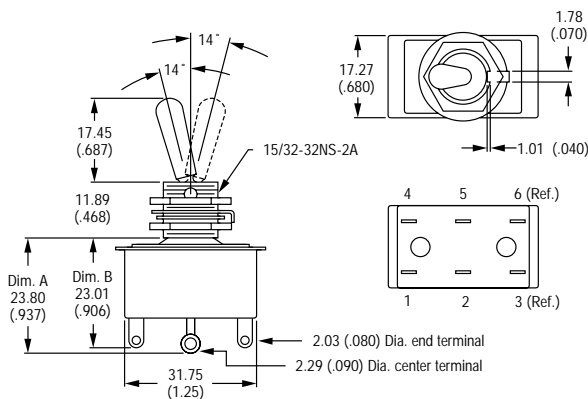
-17.8°C to +65.6°C (0°F to 150°F).

DIMENSIONS APPROXIMATE IN MM (INCHES)

1PDT MAINTAINED ACTION (SOLDER LUG)



2PDT MAINTAINED ACTION (SOLDER LUG)



8261K22
Medium Duty



8262K22
Medium Duty



8801K22
Heavy Duty



8820K16
Heavy Duty